

**muraro**

**PROFESSIONAL LIGHTING SUPPORTS**

# Stand Attachments



Based on his knowledge of mechanical technology Muraro has developed a line of professional supports for the Professional.

The stands are manufactured in Italy in a modern and highly efficient plant.

A new, easy to use, high performance tube locking system, all produced in die cast aluminium, elevates the Muraro stand to a new standard.



Type 1  
1 1/8" socket plus 5/8"  
"pop-up" spigot



Type 2:  
5/8" spigot with 3/8" W  
top fixing



Type 3:  
5/8" spigot



Type 4:  
17,5mm socket



Type 5:  
M10 thread socket



Type 6:  
5/8" long spigot



Type 7:  
1 1/8" socket plus 5/8"  
"pop-up" spigot  
with 3/8" W

**muraro**  
**PROFESSIONAL LIGHTING SUPPORTS**

**MU011AB**  
alu black

**MU011A**  
alu silver

5 sections, 4 risers  
ø 25-22-18-15-12 mm  
Flat Leg: 15x5 mm

Minimum height: 50 cm  
Maximum Height: 195 cm  
Closed length: 48 cm  
Footprint ø: 100 cm  
Maximum load: 1,9 kg  
Weight: 0,95 kg  
Spigot: Type 2



## MU015AB

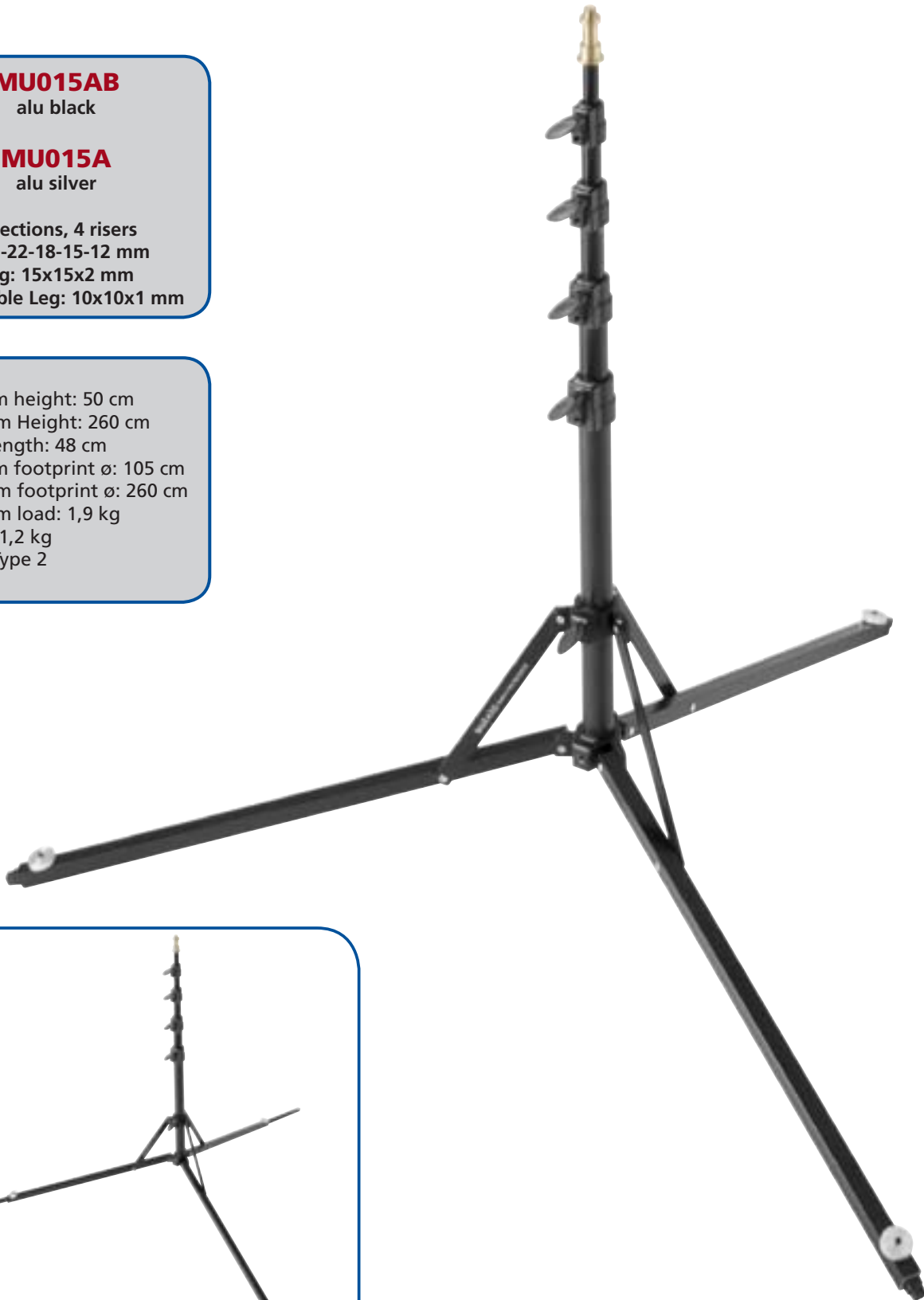
alu black

## MU015A

alu silver

5 sections, 4 risers  
ø 25-22-18-15-12 mm  
Leg: 15x15x2 mm  
Extendible Leg: 10x10x1 mm

Minimum height: 50 cm  
Maximum Height: 260 cm  
Closed length: 48 cm  
Minimum footprint ø: 105 cm  
Maximum footprint ø: 260 cm  
Maximum load: 1,9 kg  
Weight: 1,2 kg  
Spigot: Type 2



**MU016AB**

alu black

**MU016A**

alu silver

4 sections, 3 risers  
ø 25-22-18-15 mm  
Leg ø: 20 mm

Minimum height: 66 cm  
Maximum Height: 210 cm  
Closed length: 62 cm  
Footprint ø: 45 cm  
Maximum load: 2 kg  
Weight: 1 kg  
Spigot: Type 2



**MU010**

**muraro**

**MU010AB**  
alu black

**MU010A**  
alu silver

4 sections, 3 risers  
ø 25-22-18-15 mm  
Leg ø: 20 mm

Minimum height: 70 cm  
Maximum Height: 240 cm  
Closed length: 67 cm  
Footprint ø: 95 cm  
Maximum load: 4 kg  
Weight: 1,5 kg  
Spigot: Type 2



**PROFESSIONAL LIGHTING SUPPORTS**

**MU014AB**  
alu black

**MU014A**  
alu silver

4 sections, 3 risers  
ø 25-22-18-15 mm  
Leg ø: 20 mm

Minimum height: 76 cm  
Maximum Height: 260 cm  
Closed length: 76 cm  
Footprint ø: 106 cm  
Maximum load: 5 kg  
Weight: 1,7 kg  
Spigot: Type 3



**MU007AB**

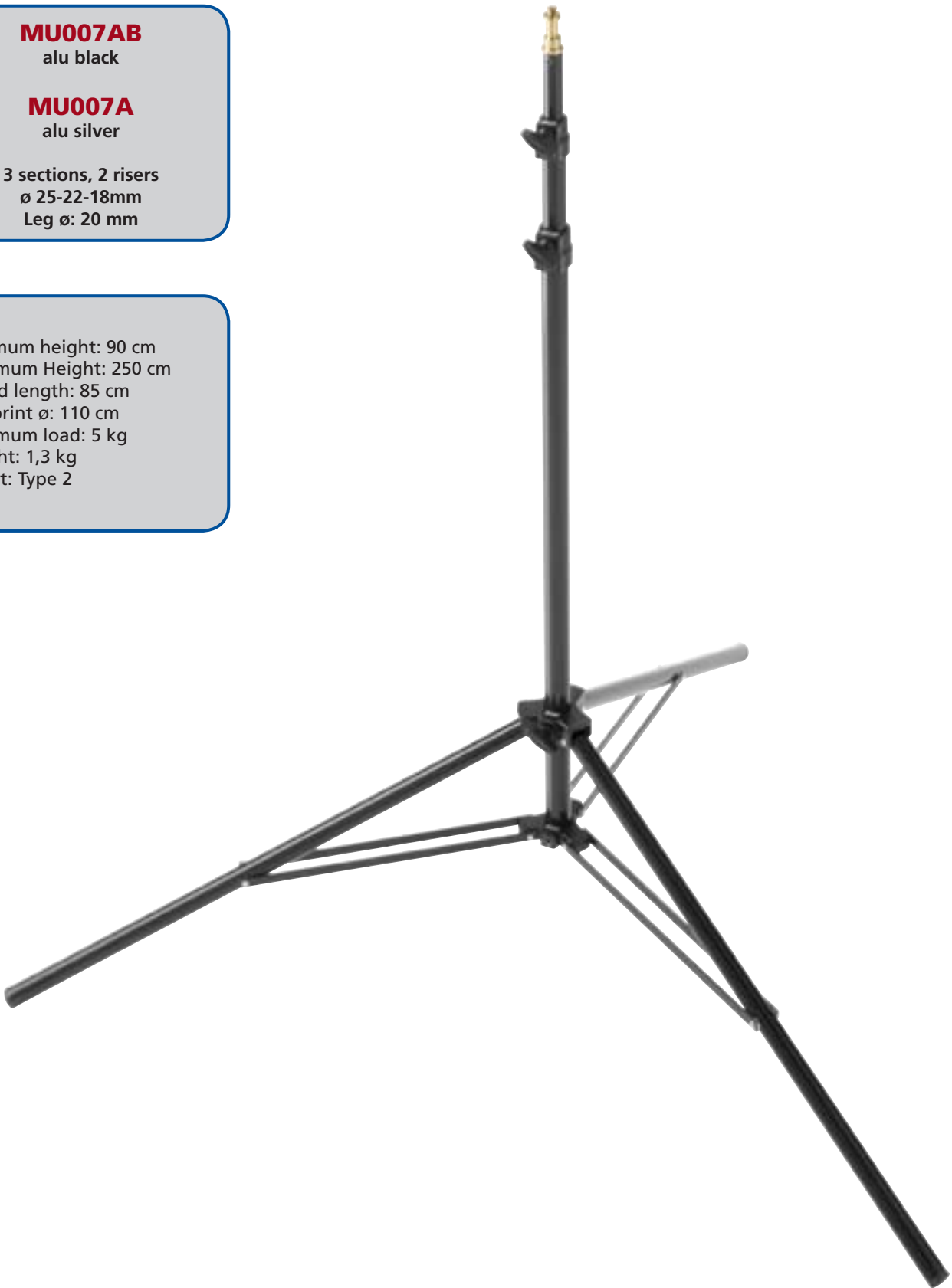
alu black

**MU007A**

alu silver

3 sections, 2 risers  
ø 25-22-18mm  
Leg ø: 20 mm

Minimum height: 90 cm  
Maximum Height: 250 cm  
Closed length: 85 cm  
Footprint ø: 110 cm  
Maximum load: 5 kg  
Weight: 1,3 kg  
Spigot: Type 2





**MU005AB**  
alu black

**MU005A**  
alu silver

3 sections, 2 risers  
ø 35-30-25 mm  
Leg ø: 22 mm

Minimum height: 105 cm  
Maximum Height: 295 cm  
Closed length: 100 cm  
Footprint ø: 110 cm  
Maximum load: 10,5 kg  
Weight: 2 kg  
Spigot: Type 4 + spigot code 060  
Wheels: available  
Air cushioned: available

**MU005SB**  
steel black

**MU005X**  
stainless steel

3 sections, 2 risers  
ø 35-30-25 mm  
Leg ø: 22 mm

Minimum height: 105 cm  
Maximum Height: 295 cm  
Closed length: 100 cm  
Footprint ø: 110 cm  
Maximum load: 20 kg  
Weight: 4,5 kg  
Spigot: Type 4 + spigot code 060  
Wheels: available



**MU006AB**  
alu black

**MU006A**  
alu silver

4 sections, 3 risers  
ø 35-30-25-20 mm  
Leg ø: 22 mm

Minimum height: 110 cm  
Maximum Height: 385 cm  
Closed length: 110 cm  
Footprint ø: 110 cm  
Maximum load: 9,5 kg  
Weight: 2,5 kg  
Spigot: Type 2  
Wheels: available  
Air cushioned: available

**MU006SB**  
steel black

**MU006X**  
stainless steel

4 sections, 3 risers  
ø 35-30-25-20 mm  
Leg ø: 22 mm

Minimum height: 110 cm  
Maximum Height: 385 cm  
Closed length: 110 cm  
Footprint ø: 110 cm  
Maximum load: 16 kg  
Weight: 5 kg  
Spigot: Type 2  
Wheels: available



**MU003SB**  
steel black

**MU003SCP**  
steel chrome plated

2 sections, 1 riser  
ø 50-40 mm Leg ø: 30 mm  
Memory collar included

Minimum height: 90 cm  
Maximum Height: 150 cm  
Closed length: 105 cm  
Footprint ø: 109 cm  
Maximum load: 40 kg  
Weight: 6,5 kg  
Spigot: Type 7  
Wheels: available  
Levelling leg: available



**MU004AB**  
alu black

**MU004A**  
alu silver

3 sections, 2 risers  
ø 35-30-25 mm  
Leg ø: 22 mm

Minimum height: 150 cm  
Maximum Height: 380 cm  
Closed length: 160 cm  
Footprint ø: 110 cm  
Maximum load: 15 kg  
Weight: 6 kg  
Spigot: Type 7  
Wheels: available  
One levelling leg

**MU004SB**  
steel black

**MU004SCP**  
steel chrome plated

3 sections, 2 risers  
ø 35-30-25 mm  
Leg ø: 22 mm

Minimum height: 150 cm  
Maximum Height: 380 cm  
Closed length: 160 cm  
Footprint ø: 110 cm  
Maximum load: 25 kg  
Weight: 10 kg  
Spigot: Type 7  
Wheels: available  
One levelling leg



**MU012SB**  
steel black

**MU012SCP**  
steel chrome plated

3 sections, 2 risers  
ø 50-40-35 mm  
Leg ø: 30 mm

Minimum height: 145 cm  
Maximum height: 300 cm  
Closed length: 130 cm  
Footprint ø: 140 cm  
Maximum load: 35 kg  
Weight: 6,2 kg  
Spigot: Type 7  
Wheels: available  
Levelling leg: available



## MU017AB

alu black

## MU017A

alu silver

3 sections, 2 risers  
ø 50-40-35 mm  
Leg ø: 30 mm

Minimum height: 150 cm  
Maximum Height: 380 cm  
Closed length: 160 cm  
Footprint ø: 130 cm  
Maximum load: 15 kg  
Weight: 5 kg  
Spigot: Type 7  
Wheels: available  
Levelling leg: available

## MU017SB

steel black

## MU017SCP

steel chrome plated

3 sections, 2 risers  
ø 50-40-35 mm  
Leg ø: 30 mm

Minimum height: 170 cm  
Maximum Height: 380 cm  
Closed length: 180 cm  
Footprint ø: 130 cm  
Maximum load: 30 kg  
Weight: 8 kg  
Spigot: Type 7  
Wheels: available  
Levelling leg: available



**MU013AB**

alu black

2 sections, 1 riser  
ø 35-30 mm  
Leg ø: 22 mm

Minimum height: 110 cm  
Maximum height: 185 cm  
Closed length: 90 cm  
Footprint ø: 110 cm  
Maximum load: 15 kg  
Weight: 1,7 kg  
Spigot: Type 5



**MU001**

**muraro**

**MU001AB**  
alu black

**MU001A**  
alu silver

3 sections, 1 riser  
ø 35-30 mm  
Leg ø: 22 mm

Minimum height: 130 cm  
Maximum Height: 215 cm  
Closed length: 115 cm  
Footprint ø: 120 cm  
Maximum load: 15 kg  
Weight: 5 kg  
Spigot: Type 7  
Wheels: available  
One levelling leg

**MU001SB**  
steel black

**MU001SCP**  
steel chrome plated

2 sections, 1 riser  
ø 35-30 mm  
Leg ø: 22 mm

Minimum height: 130 cm  
Maximum Height: 215 cm  
Closed length: 115 cm  
Footprint ø: 120 cm  
Maximum load: 30 kg  
Weight: 7 kg  
Spigot: Type 7  
Wheels: available  
One levelling leg



**PROFESSIONAL LIGHTING SUPPORTS**



**MU028AB**  
alu black

**MU028A**  
alu silver

3 sections, 2 risers  
ø 35-30-25 mm  
Leg ø: 22 mm

Minimum height: 125cm  
Maximum height: 325 cm  
Closed length: 125 cm  
Footprint ø: 120 cm  
Maximum load: 15 kg  
Weight: 5 kg  
Spigot: Type 7  
Wheels: available  
One levelling leg

**MU028SB**  
steel black

**MU028SCP**  
steel chrome plated

3 sections, 2 risers  
ø 35-30-25 mm  
Leg ø: 22 mm

Minimum height: 125cm  
Maximum height: 325 cm  
Closed length: 125 cm  
Footprint ø: 120 cm  
Maximum load: 25 kg  
Weight: 7,5 kg  
Spigot: Type 7  
Wheels: available  
One levelling leg



**MU002AB**  
alu black

**MU002A**  
alu silver

3 sections, 2 risers  
ø 40-35-30 mm  
Leg ø: 22 mm

Minimum height: 130 cm  
Maximum Height: 335 cm  
Closed length: 130 cm  
Footprint ø: 130 cm  
Maximum load: 15 kg  
Weight: 5,5 kg  
Spigot: Type 7  
Wheels: available  
One levelling leg

**MU002SB**  
steel black

**MU002SCP**  
steel chrome plated

3 sections, 2 risers  
ø 40-35-30 mm  
Leg ø: 22 mm

Minimum height: 130 cm  
Maximum Height: 335 cm  
Closed length: 130 cm  
Footprint ø: 130 cm  
Maximum load: 40 kg  
Weight: 8,5 kg  
Spigot: Type 7  
Wheels: available  
One levelling leg



**MU032AB**  
alu black

2 sections, 1 riser  
ø 30-25 mm



Minimum extension: 105 cm  
Maximum extension: 180 cm  
Closed length: 105 cm  
Maximum load: 5 kg  
Weight: 1,5 kg  
Spigot: Type 1



**MU029AB**

alu black

3 sections, 2 risers  
ø 28-25-22 mm

Minimum extension: 115 cm  
Maximum extension: 300 cm  
Closed length: 115 cm  
Maximum load: 5 kg  
Weight: 0,5 kg  
Spigots on both ends: Type 4



**MU030**

transport kit bag



**MU031**

transport kit:

- n.1 Telescopic pole code 029
- n.2 Stand code 007
- n.1 Trasport bag kit code 030



**MU500SCP**

steel chrome plated

**MU500SB**

steel black

3 sections, 2 risers  
ø 35-30-25 mm  
Leg: 22x22 mm

Minimum height: 105 cm  
Maximum Height: 225 cm  
Closed length: 95 cm  
Footprint ø: 90 cm  
Maximum load: 25 kg  
Weight: 5 kg  
Spigot: Type 4  
Wheels: available  
Levelling leg: available



**MU160**

**muraro**

**MU 160Z**

zinc steel

**MU 160X**

stainless steel

**MU 160SCP**

steel chrome plated

3 sections, 2 risers

ø 35-30-25 mm

Leg ø: 22 mm

Minimum height: 120 cm  
Maximum Height: 290 cm  
Closed length: 100 cm  
Footprint ø: 110 cm  
Maximum load: 20 kg  
Weight: 5 kg  
Spigot: Type 4  
Wheels: available  
One levelling leg



**PROFESSIONAL LIGHTING SUPPORTS**

**MU190SB**  
steel black

4 sections, 3 risers  
ø 35-30-25-20 mm  
Leg ø: 22 mm

Minimum height: 135 cm  
Maximum Height: 415 cm  
Closed length: 115 cm  
Footprint ø: 130 cm  
Maximum load: 25 kg  
Weight: 6,2 kg  
Spigot: Type 3  
Wheels: available  
One levelling leg





## **MU120AB** alu black

3 sections, 2 risers  
ø 35-30-25 mm  
Leg: 22x22 mm

Minimum height: 115 cm  
Maximum Height: 270 cm  
Closed length: 95 cm  
Footprint ø: 130 cm  
Maximum load: 11 kg  
Weight: 3,6 kg  
Spigot: Type 4  
Wheels: available  
Levelling leg: available

## **MU130AB** alu black

4 sections, 3 risers  
ø 35-30-25-20 mm  
Leg: 22x22 mm

Minimum height: 90 cm  
Maximum Height: 335 cm  
Closed length: 90 cm  
Footprint ø: 95 cm  
Maximum load: 9 kg  
Weight: 2,5 kg  
Spigot: Type 4  
Wheels: available  
Levelling leg: available



**MU200SCP**

steel chrome plated

**MU200AB**

alu black

2 sections, 1 riser  
ø 50-40 mm  
Leg: 30x30 mm

**MU210SCP**

steel chrome plated

**MU10AB**

alu black

3 sections, 2 risers  
ø 50-40-35 mm  
Leg: 30x30 mm

Minimum height: 90 cm  
Maximum Height: 135 cm  
Closed length: 80 cm  
Footprint ø: 90 cm  
Maximum load: 30 kg SCP - 25 kg AB  
Weight: 6 kg SCP - 4 kg AB  
Spigot: Type 1  
Wheels: available  
One levelling leg

Minimum height: 100 cm  
Maximum Height: 200 cm  
Closed length: 90 cm  
Footprint ø: 90 cm  
Maximum load: 30 kg SCP - 25 kg AB  
Weight: 7 kg SCP - 5 kg AB  
Spigot: Type 1  
Wheels: available  
One levelling leg



## MU220SCP

steel chrome plated

## MU220AB

alu black

4 sections, 3 risers  
ø 50-40-35-30 mm  
Leg: 30x30 mm

Minimum height: 170 cm  
Maximum Height: 410 cm  
Closed length: 145 cm  
Footprint ø: 135 cm  
Maximum load: 40 kg SCP - 30 kg AB  
Weight: 13 kg SCP - 8 kg AB  
Spigot: Type 1  
Wheels: available  
One levelling leg

## MU230SCP

steel chrome plated

## MU230AB

alu black

3 sections, 2 risers  
ø 50-40-35 mm  
Leg: 30x30 mm

Minimum height: 160 cm  
Maximum Height: 325 cm  
Closed length: 135 cm  
Footprint ø: 135 cm  
Maximum load: 40 kg SCP - 30 kg AB  
Weight: 10 kg SCP - 6 kg AB  
Spigot: Type 1  
Wheels: available  
One levelling leg



**MU140SCP**

steel chrome plated

**MU140SB**

steel black

4 sections, 3 risers  
ø 50-40-35-30 mm  
Leg: 30x30 mm

**MU150SCP**

steel chrome plated

**MU150SB**

steel black

5 sections, 4 risers  
ø 50-40-35-30-25 mm  
Leg: 30x30 mm

Minimum height: 199 cm  
Maximum Height: 570 cm  
Closed length: 195 cm  
Footprint ø: 200 cm  
Maximum load: 40 kg  
Weight: 17 kg  
Spigot: Type 1  
Wheels: available  
One levelling leg

Minimum height: 250 cm  
Maximum Height: 810 cm  
Closed length: 205 cm  
Footprint ø: 200 cm  
Maximum load: 30 kg  
Weight: 20 kg  
Spigot: Type 1  
Wheels: available  
One levelling leg



**MU321 - 40"**  
**MU323 - 30"**  
**MU325 - 20"**

steel chrome plated  
3 sections, 2 risers  
ø 35 - 30 - 25 mm  
Leg ø: 25 mm  
fix leg

**MU321**

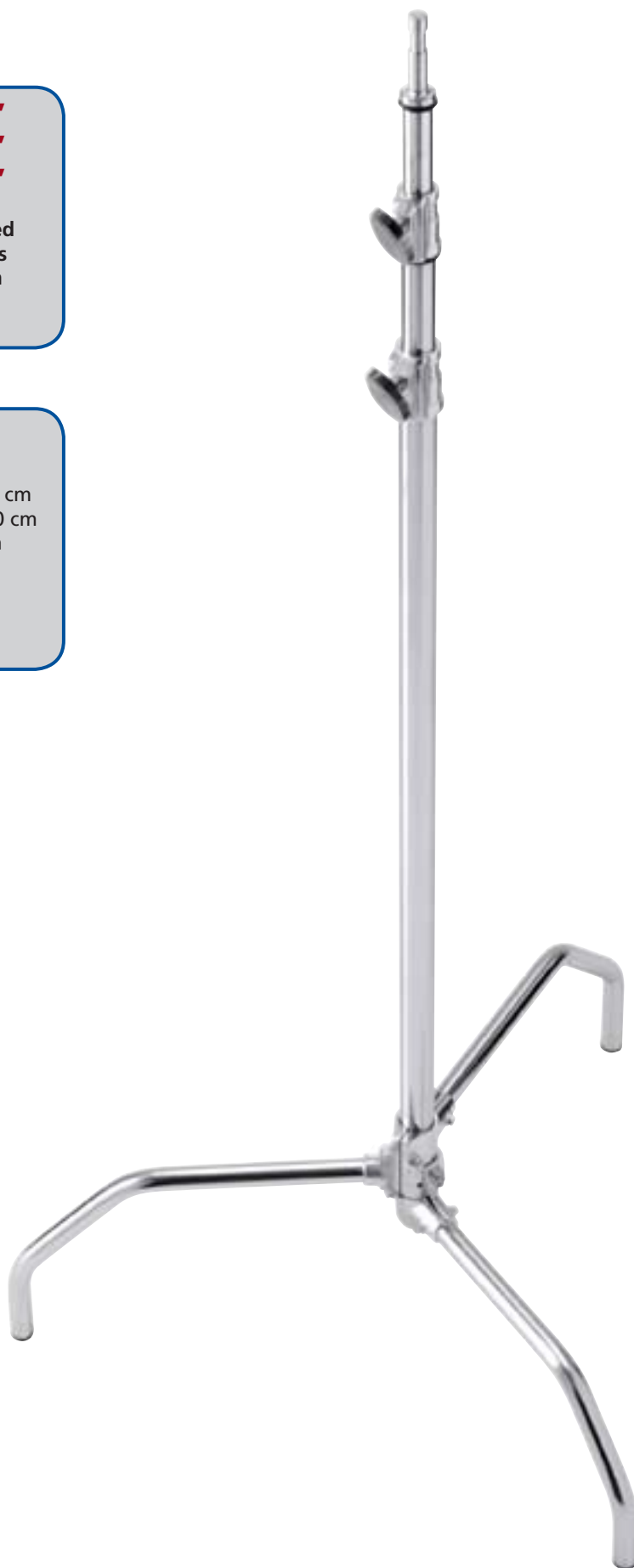
Minimum height: 130 cm  
Maximum Height: 320 cm  
Closed length: 120 cm  
Footprint ø: 95 cm  
Maximum load: 10 kg  
Weight: 4,5 kg  
Spigot: Type 6

**MU323**

Minimum height: 110 cm  
Maximum Height: 250 cm  
Closed length: 100 cm  
Footprint ø: 95 cm  
Maximum load: 10 kg  
Weight: 4,5 kg  
Spigot: Type 6

**MU325**

Minimum height: 80 cm  
Maximum Height: 170 cm  
Closed length: 80 cm  
Footprint ø: 95 cm  
Maximum load: 8 kg  
Weight: 4 kg  
Spigot: Type 6



**MU320 - 40"**  
**MU322 - 30"**  
**MU324 - 20"**

steel chrome plated  
3 sections, 2 risers  
ø 35 - 30 - 25 mm  
Leg ø: 25 mm  
one levelling leg

**MU320**

Minimum height: 130 cm  
Maximum Height: 325 cm  
Closed length: 120 cm  
Footprint ø: 95 cm  
Maximum load: 10 kg  
Weight: 4,5 kg  
Spigot: Type 6

**MU322**

Minimum height: 110 cm  
Maximum Height: 250 cm  
Closed length: 100 cm  
Footprint ø: 95 cm  
Maximum load: 10 kg  
Weight: 5,5 kg  
Spigot: Type 6

**MU324**

Minimum height: 80 cm  
Maximum Height: 170 cm  
Closed length: 80 cm  
Footprint ø: 95 cm  
Maximum load: 8 kg  
Weight: 4 kg  
Spigot: Type 6



**MU330 - 40"**  
steel chrome plated

**MU330X - 40"**  
stainless steel

1 section ø 16 mm  
length: 1020 cm  
weight: 1,65 Kg



**MU331 - 20"**  
steel chrome plated

**MU331X - 20"**  
stainless steel

1 section ø 16 mm  
length: 510 cm  
weight: 1,3 Kg



**MU335**

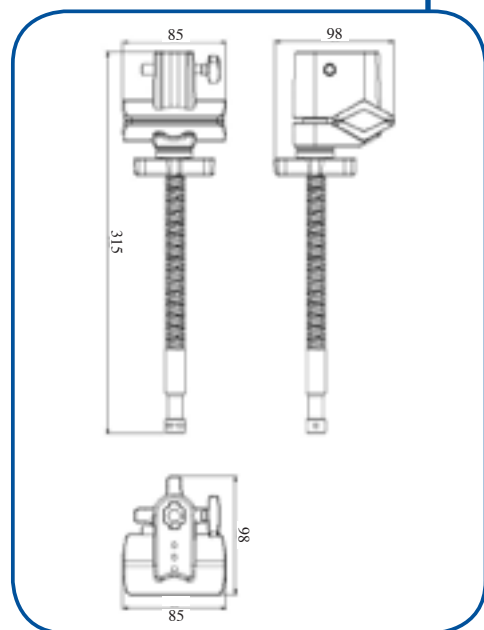
weight: 0,65Kg  
Spigot: Type 4





**MU019**

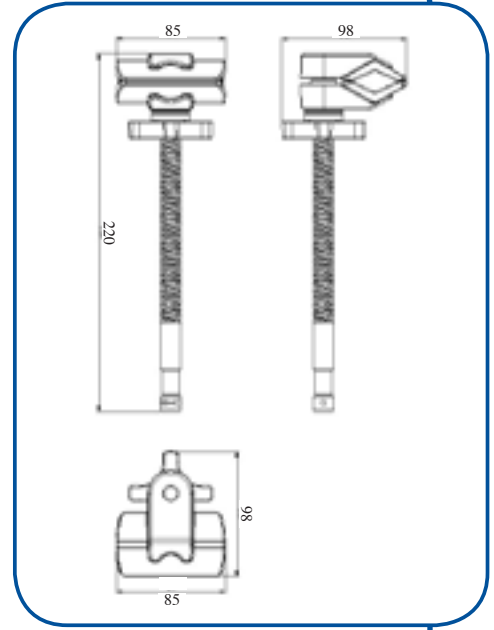
**muraro**



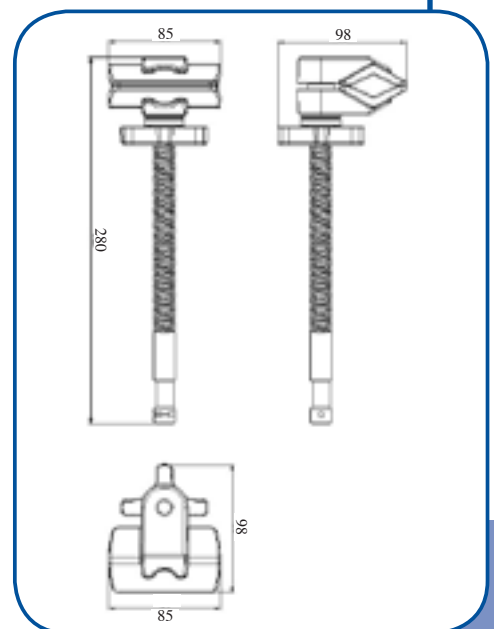
**MU019**  
Maximum load: 25 kg  
Weight: 0,8 kg  
Spigot: Type 6  
+ 5/8" hexagonal socket



**PROFESSIONAL LIGHTING SUPPORTS**



**MU018**  
Maximum load: 30 kg  
Weight: 0,4 kg  
Spigot: Type 6



**MU018L**  
Maximum load: 25 kg  
Weight: 0,6 kg  
Spigot: Type 6



# ADAPTERS



**code 060**  
5/8" stud with 1/4" W and  
3/8" W threads



**code 061**  
female adaptor  
5/8" to 17 mm



**code 063**  
28 mm plate stud with  
M10 thread  
**code 063-01**  
28 mm plate stud with  
M12 thread



**code 064**  
28 mm stud with  
M10 thread  
**code 064-01**  
28 mm stud with  
M12 thread

**muraro**

**Muraro Silvio**

Sede legale: Via Giardini, 26 - 36057 Arcugnano (VI) - Italia

Unità produttiva: Via dell'Artigianato, 24 - 36023 Costozza di Longare (VI) - Italia

Tel. 0039 0444 958261 - Fax 0039 0444 956427 - REA: 281098 - P.IVA 02877120242

e-mail: [s.muraro@murarolightstand.com](mailto:s.muraro@murarolightstand.com)